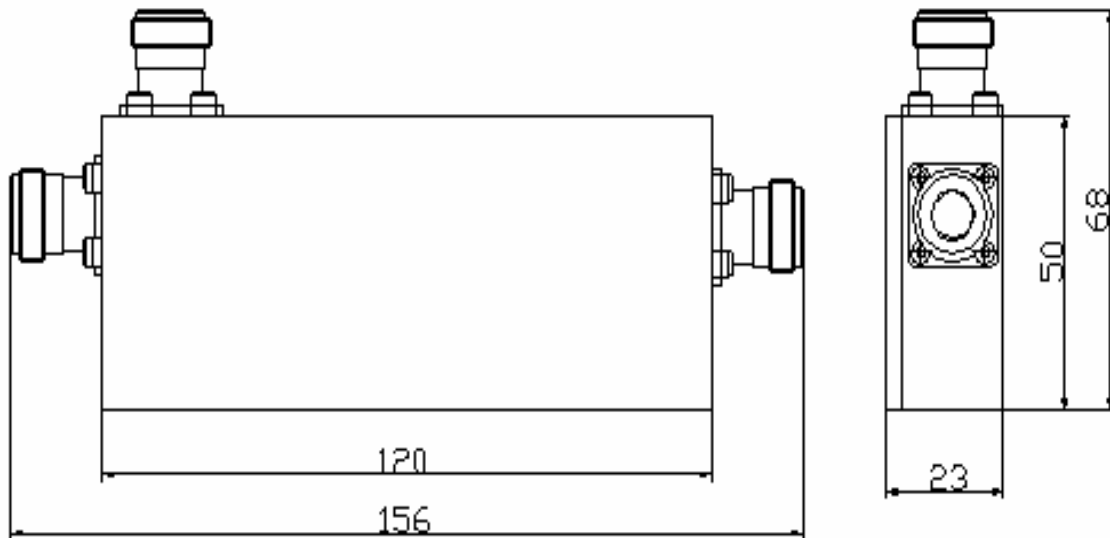


tic-tech DC-K series of directional coupler is designed for both indoor and outdoor application to couple off a defined fraction of signal with minimum reflection or loss in the VHF frequency bandwidth. The coupler conforms with IP65 specification and are especially ideal for outdoor installation with high reliability and performance.



Model	DC-K1224/CV6	DC-K1224/CV10
Type	Directional Coupler	
Coupling Value	-6dB	-10dB
Frequency	120 - 240MHz	120 - 240MHz
VSWR	1.2:1	1.2:1
Coupling Thru-Line Loss	<1.7dB	<0.8dB
Isolation	20dB Min.	20dB Min.
Impedance	50 ohms	50 ohms
Input Power	200 watt	200 watt
Operating Temperature	-30°C ~ +60°C	-30°C ~ +60°C
Dimension (incl. Conn)	L 156 x W 68 x H 23 mm	
Weight	Approx. 0.43 KG	